



TECNOGEN

DOOSAN GENSETS SERIES

DATA SHEET AD950

760 KW STAND BY

690 KW PRIME



TECNO GENERACION SAC

Lima - Perú

General Performance Data

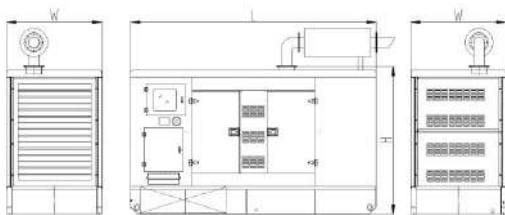
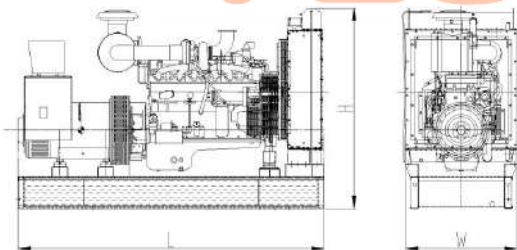
Prime Power	863KVA/690KW	Engine	Brand	Doosan
Stand by Power	950KVA/760KW		Model	DP222CA
Frequency/Speed	60Hz/1800rpm	Control module	Deeppsea 6120	
Rated Power Factor(cosφ)	0.8	Rated Current	2264A	
Standard Voltage	220V	Capacity of Breaker	2500A	
Phases	3	Starting Voltage	DC24V	

Fuel consumption

Rated output	Fuel consumption rate	
100%Standby	*g/KW.h	203.8L/h
100%Prime	*g/KW.h	183.2L/h
75%Prime	*g/KW.h	134.4L/h
50%Prime	*g/KW.h	91.3L/h
25%Prime	*g/KW.h	49.1L/h

Standards followed

ISO9001	ISO14001
ISO8528	ISO12100
ISO13849	EN12601
GB12786	GB/T2820
IEC60034	IEC60204
CE	RETIE



Dimensions and Weights

Type	Open	Silent
Length(mm)	3500	4200
Width(mm)	1650	1950
Height(mm)	2250	2450
Weight(kg)	4350	5350
Base fuel tank volume (L)	1420	1420

Engine specification

Basic parameter

Manufacturer	Doosan
Model	DP222CA
No. of cylinder	12
Type	V-type 4 cycle, water cooled
Prime Power	762kw /1036HP
Standby Power	836kw /1137HP
Induction system	Turbo charged & intercooled (air to air)

Governor ECU

Bore x Stroke 128x142mm

Displacement 21.927L

Compression ratio 15:1

Oil Capacity(Total) 40L

Coolant Capacity(Engine only) 114L

Cranking Motor Voltage DC24V

Fuel System

Type Injection system Bosch Common Rail

Min. Allowable flow of fuel to fuel pump 630L/h

Lubrication system

Oil Pressure

---Idle speed Min 100kPa

---Rated speed Min 250kPa

Max. allowable oil temperature 120°C

Oil Pan capacity - Low/High 27/40L

Total system capacity *L

Angularity of oil pan-Front Down 10°

Air induction system

Maximum allowable intake air restriction

---with clean filter element 2.16kPa

---with dirty filter element 6.23kPa

Intake Air alarm temperature *°C

Exhaust system

Max. allowable back pressure 5.9kPa

Standard exhaust pipe diameter *mm

Cooling system

Coolant capacity

---Engine only 23L

---Total system 114L

---With heat exchanger -

Standard thermostat(modulating) range 71-85 °C

Max. coolant temperature 100 °C

Max. allowable top tank temperature for stand by/prime power 103 °C

Electric system

Min. recommended battery capacity (12V)

---10°C(50°F) & above- 0°F CCA 950A

--- 0°C(32°F) to 10°C(50°F)- 0°F CCA 950A

---18°C(0°F) to 0°C(32°F)- 0°F CCA 950A

Battery capacity(recommended) 2X200AH

Starter(heave,Anode) DC24V

Battery recharge system, negative ground 45ampere

Alternator specification

Phases 3

Poles 4

Power factor(cosφ) 0.8

Winding connection Star

Winding pitch 2/3

Voltage regulator type AVR

Coating Vacuum impregnation

Insulation class H

Protection IP23

Excitation system Self-excited

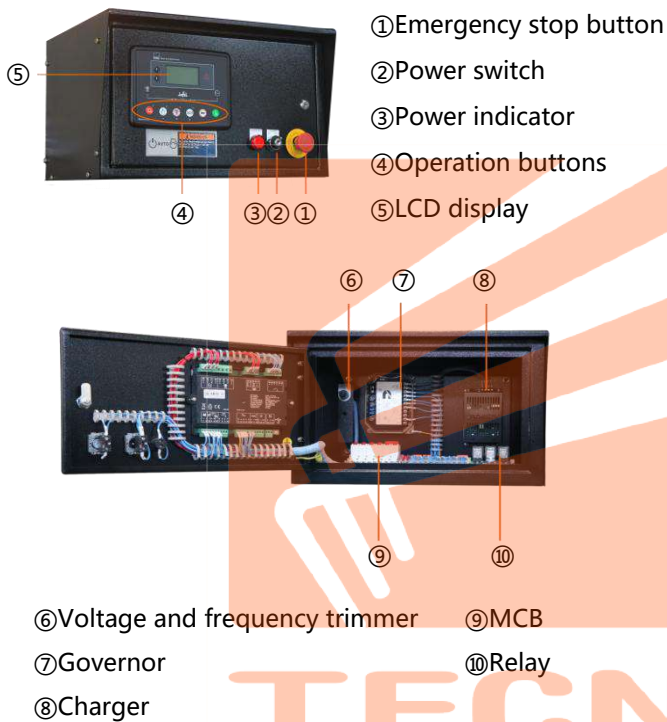
Bearing Single Bearing

Coupling Flexible disc

Control system Introduction

Deepsea 6120 Auto start & auto mains failure control panel

Deepsea 6120 is an auto mains failure controller for single generator, it can monitor and protect the generator working all the time. it has a LCD display which clearly shows the status of the engine. this controller include seven inputs and six outputs. This controller can also be programmed using the front panel or by using DSE configuration Suite PC software



Key Features:

- Auto start/stop, load transfer and alarming of generator
- Remote start on or off load
- With hierarchical loading function
- Multiple start/stop cycles can be preset
- 3 phase generator and mains voltage monitoring.
- Generator/load power detection(kW, kVA, kVA_r PF)
- Overload protection (kW)
- Load current monitoring and protection
- Engine speed protection
- Engine pre-heat
- Engine start idle & stop idle
- Battery voltage monitoring
- Start under the low battery
- 4 active outputs
- 4 digital inputs and 3 analogue inputs.
- 6 Custom digital input
- 6 outputs(4 configurable on magnetic pick-up, 6 configurable on Canbus version)
- DSE2130,DSE2157,DSE2548 expansion module can be connected
- Support 0-10V or 4-20mA oil pressure sensor

Main features:

- Multi language display
- Mains failure self starting
- The running time of the engine can be recorded to facilitate the maintenance and repair of the unit
- User-friendly set-up and button layout
- LCD display can display multiple parameters at the same time
- Support EFI engine
- IP65 rating (with optional gasket)
- PC and front panel configuration
- 100 event records
- Data recording and trend analysis

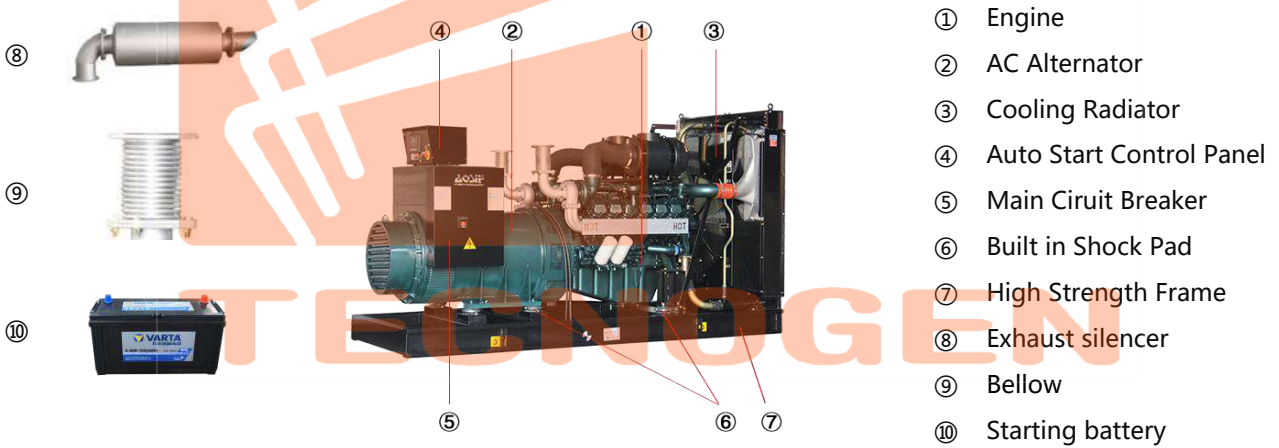
Protection:

- Two sets of protection parameters can be preset
- Normal alarm, electrical trip and shutdown alarm can be set to effectively monitor the engine speed,oil pressure, water temperature and oil level, as well as the frequency, voltage, current and power of the alternator, for complete engine/alternator protection
- Low Oil Pressure
- High water Temperature
- High voltage and low voltage
- Overspeed
- Emergency stop
- Fail to start

Decomposition diagram introduction of AOSIF Typical Canopy



Standard supply scope:



Optional supply scope:

Genset	Engine	Alternator	Control system
<ul style="list-style-type: none"> Tool box Base fuel tank External daily fuel tank Trailer 	<ul style="list-style-type: none"> Fuel heater Fuel and water separator 	<ul style="list-style-type: none"> Temp. detector for winding and bearing PMG Antirust, mildew and salt fog treatment Anti condensation heater 	<ul style="list-style-type: none"> ATS Synchronization System Adjustable earth relay
Breaker	Fuel system	Lub-oil system	Cooling system
<ul style="list-style-type: none"> ABB Schneider 	<ul style="list-style-type: none"> Low fuel level alarm Auto Fuel Pump T Valve 	<ul style="list-style-type: none"> Lub oil heater Temp.-sensor Oil drain Pump 	<ul style="list-style-type: none"> Elec.coolant Heater

Contact your local distributor for more information:



TECNOGEN



www.tecnogen.pe



comercial@tecnogen.pe



[+ 51 986 364 537](tel:+51986364537)



[Jr. Ayacucho 226, Callao, Perú](#)

Follow us on:

