



# TECNOGEN

**PERKINS GENSETS SERIES**

**DATA SHEET AP26**

**21 KW STAND BY**

**19 KW PRIME**



**TECNO GENERACION SAC**

**Lima - Perú**

## General Performance Data

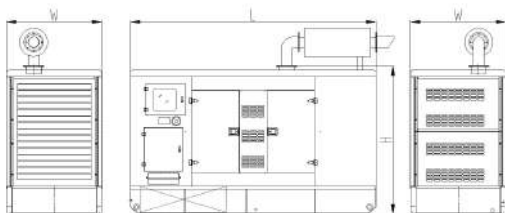
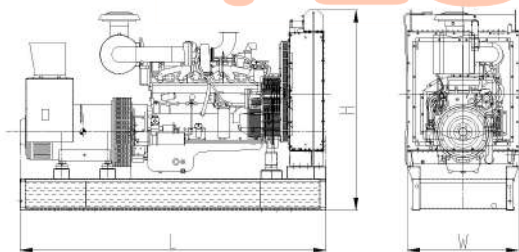
Prime Power	24KVA/19KW	Engine	Brand	Perkins
Stand by Power	26KVA/21KW		Model	404D-22G*
Frequency/Speed	60Hz/1800rpm	Control module	Deeppsea 6120	
Rated Power Factor(cosφ)	0.8	Rated Current	63A	
Standard Voltage	220V	Capacity of Breaker	100A	
Phases	3	Starting Voltage	DC12V	

## Fuel consumption

Rated output	Fuel consumption rate	
100%Standby	235 g/KW.h	6.9L/h
100%Prime	233 g/KW.h	6.2L/h
75%Prime	240 g/KW.h	4.8L/h
50%Prime	262 g/KW.h	3.5L/h
25%Prime		

## Standards followed

ISO9001	ISO14001
ISO8528	ISO12100
ISO13849	EN12601
GB12786	GB/T2820
IEC60034	IEC60204
CE	RETIE



## Dimensions and Weights

Type	Open	Silent
Length(mm)	1520	2000
Width(mm)	670	1000
Height(mm)	1250	1440
Weight(kg)	630	950
Base fuel tank volume (L)	40	40

## Engine specification

### Basic parameter

Manufacturer	Perkins
Model	404D-22G*
No. of cylinder	4
Type	4 cycle, Vertical In-line
Prime Power	22kw /29.92HP
Standby Power	24.3kw /33.05HP
Induction system	Naturally aspirated
Governor	Mechanical
Bore x Stroke	84x100mm
Displacement	2.216L
Compression ratio	23.3:1
Oil Capacity(Total)	10.6L
Coolant Capacity(Engine only)	7.0L
Cranking Motor Voltage	DC12V

### Fuel System

Type Injection system	Indirect injection
Min. Allowable flow of fuel to fuel pump	63L/h

### Lubrication system

Oil Pressure	
---Idle speed	-
---Rated speed	Min 120kPa
Max. allowable oil temperature	125°C
Oil Pan capacity - Minimum	8.9L
Total system capacity	10.6L
Angularity of oil pan-Front Down	35°

### Air induction system

Maximum allowable intake air restriction	
---with clean filter element	3.0kPa
---with dirty filter element	6.4kPa
---air filter type	Dry element type

### Exhaust system

Max. allowable back pressure	10.2kPa
Standard exhaust pipe diameter	42mm

### Cooling system

Coolant capacity	
---Engine only	3.6L
---Total system	7.0L
---With heat exchanger	-
Standard thermostat(modulating) range	82-95 °C
Max. coolant temperature	110 °C
Max. allowable top tank temperature for stand by/prime power	112 °C

### Electric system

Min. recommended battery capacity (12V)	
---10°C(50°F) & above- 0°F CCA	740A
--- 0°C(32°F) to 10°C(50°F)- 0°F CCA	740A
---18°C(0°F) to 0°C(32°F)- 0°F CCA	780A
Minimum cranking speed	150RPM
Starter(heave,Anode)	DC12V
Battery recharge system, negative ground	65ampere

## Alternator specification

Phases	3
Poles	4
Power factor(cosφ)	0.8
Winding connection	Star
Winding pitch	2/3
Voltage regulator type	AVR

Coating	Vacuum impregnation
Insulation class	H
Protection	IP23
Excitation system	Self-excited
Bearing	Single Bearing
Coupling	Flexible disc

## Control system Introduction

### Deepsea 6120 Auto start & auto mains failure control panel

**Deepsea 6120** is an auto mains failure controller for single generator, it can monitor and protect the generator working all the time. it has a LCD display which clearly shows the status of the engine. this controller include seven inputs and six outputs. This controller can also be programmed using the front panel or by using DSE configuration Suite PC software



### Key Features:

- Auto start/stop, load transfer and alarming of generator
- Remote start on or off load
- With hierarchical loading function
- Multiple start/stop cycles can be preset
- 3 phase generator and mains voltage monitoring.
- Generator/load power detection(kW, kVA, kVA<sub>r</sub> PF)
- Overload protection (kW)
- Load current monitoring and protection
- Engine speed protection
- Engine pre-heat
- Engine start idle & stop idle
- Battery voltage monitoring
- Start under the low battery
- 4 active outputs
- 4 digital inputs and 3 analogue inputs.
- 6 Custom digital input
- 6 outputs(4 configurable on magnetic pick-up, 6 configurable on Canbus version)
- DSE2130,DSE2157,DSE2548 expansion module can be connected
- Support 0-10V or 4-20mA oil pressure sensor

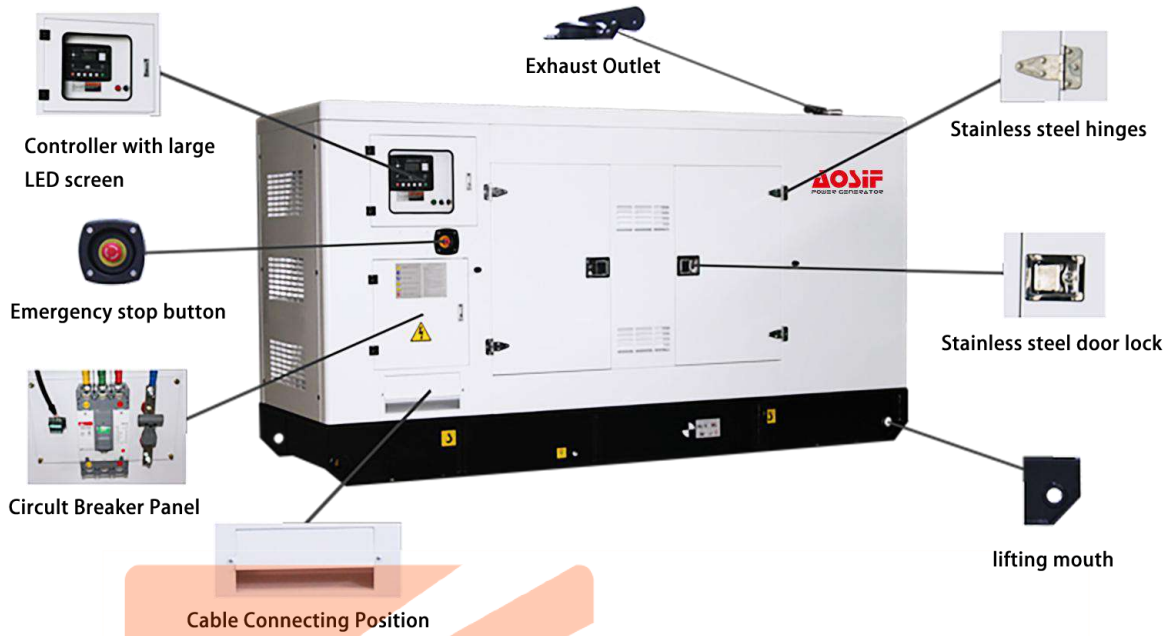
### Main features:

- Multi language display
- Mains failure self starting
- The running time of the engine can be recorded to facilitate the maintenance and repair of the unit
- User-friendly set-up and button layout
- LCD display can display multiple parameters at the same time
- Support EFI engine
- IP65 rating (with optional gasket)
- PC and front panel configuration
- 100 event records
- Data recording and trend analysis

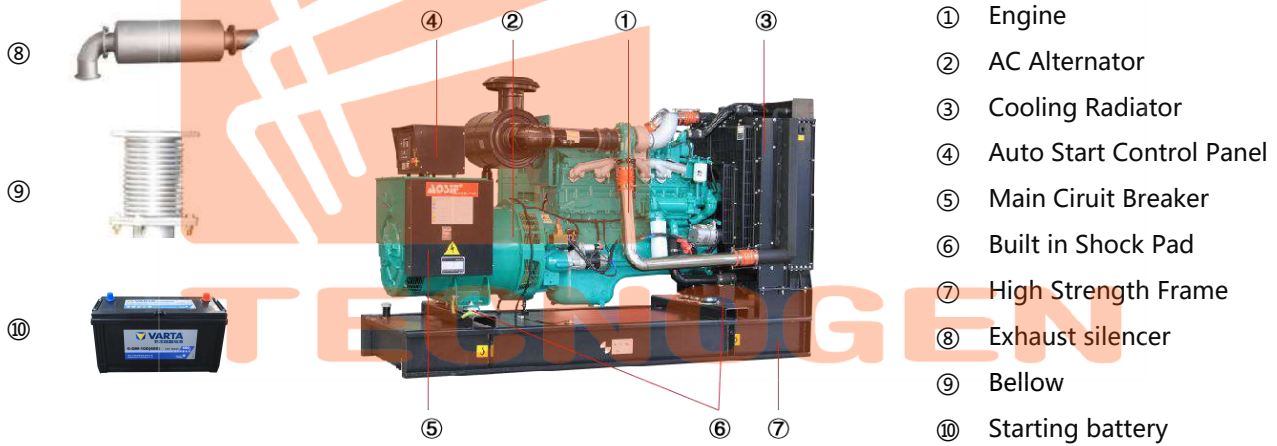
### Protection:

- Two sets of protection parameters can be preset
- Normal alarm, electrical trip and shutdown alarm can be set to effectively monitor the engine speed,oil pressure, water temperature and oil level, as well as the frequency, voltage, current and power of the alternator, for complete engine/alternator protection
- Low Oil Pressure
- High water Temperature
- High voltage and low voltage
- Overspeed
- Emergency stop
- Fail to start

## Decomposition diagram introduction of AOSIF Typical Canopy



### Standard supply scope:



### Optional supply scope:

Genset	Engine	Alternator	Control system
<ul style="list-style-type: none"> <li>Tool box</li> <li>Base fuel tank</li> <li>External daily fuel tank</li> <li>Trailer</li> </ul>	<ul style="list-style-type: none"> <li>Fuel heater</li> <li>Fuel and water separator</li> </ul>	<ul style="list-style-type: none"> <li>Temp. detector for winding and bearing</li> <li>PMG</li> <li>Antirust, mildew and salt fog treatment</li> <li>Anti condensation heater</li> </ul>	<ul style="list-style-type: none"> <li>ATS</li> <li>Synchronization System</li> <li>Adjustable earth relay</li> </ul>
Breaker	Fuel system	Lub-oil system	Cooling system
<ul style="list-style-type: none"> <li>ABB</li> <li>Schneider</li> </ul>	<ul style="list-style-type: none"> <li>Low fuel level alarm</li> <li>Auto Fuel Pump</li> <li>T Valve</li> </ul>	<ul style="list-style-type: none"> <li>Lub oil heater</li> <li>Temp.-sensor</li> <li>Oil drain Pump</li> </ul>	<ul style="list-style-type: none"> <li>Elec.coolant Heater</li> </ul>



Contact your local distributor for more information:



**TECNOGEN**



[www.tecnogen.pe](http://www.tecnogen.pe)



[comercial@tecnogen.pe](mailto:comercial@tecnogen.pe)



[+ 51 986 364 537](tel:+51986364537)



[Jr. Ayacucho 226, Callao, Perú](#)

Follow us on:

