



TECNOGEN

PERKINS GENSETS SERIES

DATA SHEET AP563

450 KW STAND BY

400 KW PRIME



TECNO GENERACION SAC

Lima - Perú

General Performance Data

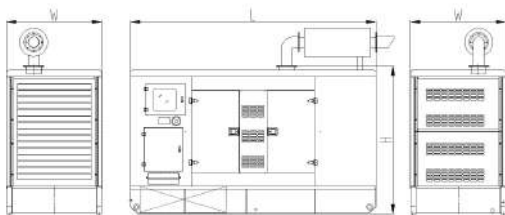
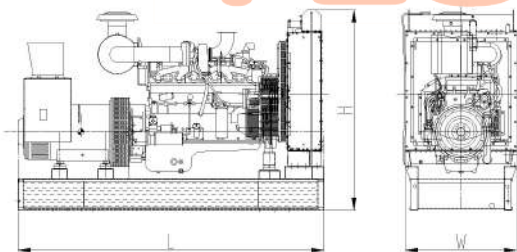
Prime Power	500KVA/400KW	Engine	Brand	Perkins
Stand by Power	563KVA/450KW		Model	2506C-E15TAG2
Frequency/Speed	60Hz/1800rpm	Control module	Deeppsea 6120	
Rated Power Factor(cosφ)	0.8	Rated Current	1313A	
Standard Voltage	220V	Capacity of Breaker	1600A	
Phases	3	Starting Voltage	DC24V	

Fuel consumption

Rated output	Fuel consumption rate	
100%Standby	201g/KW.h	114L/h
100%Prime	199g/KW.h	100L/h
75%Prime	204g/KW.h	77L/h
50%Prime	217g/KW.h	55L/h
25%Prime		

Standards followed

ISO9001	ISO14001
ISO8528	ISO12100
ISO13849	EN12601
GB12786	GB/T2820
IEC60034	IEC60204
CE	RETIE



Dimensions and Weights

Type	Open	Silent
Length(mm)	3260	4000
Width(mm)	1145	1500
Height(mm)	2100	2260
Weight(kg)	3600	4580
Base fuel tank volume (L)	850	850

Engine specification

Basic parameter

Manufacturer	Perkins
Model	2506C-E15TAG2
No. of cylinder	6
Type	4 stroke Vertical In-line
Prime Power	458kw /623HP
Standby Power	514kw /699HP
Induction system	Turbocharged, air-to-air charge cooling
Governor	Electronic
Bore x Stroke	137x171mm
Displacement	15L
Compression ratio	16:1
Oil Capacity(Total)	62L
Coolant Capacity(Engine only)	58L
Cranking Motor Voltage	DC24V

Fuel System

Type Injection system	MEUI
Min. Allowable flow of fuel to fuel pump	114L/h

Lubrication system

Oil Pressure	
---Idle speed	-
---Rated speed	Min 420kPa
Max. allowable oil temperature	114°C
Oil Pan capacity - Low/High	45L/53L
Total system capacity	62L
Angularity of oil pan-Front Down	7°

Air induction system

Maximum allowable intake air restriction	
---with clean filter element	3.7kPa
---with dirty filter element	6.2kPa
---air filter type	Paper element

Exhaust system

Max. allowable back pressure	6.8kPa
Standard exhaust pipe diameter	127mm

Cooling system

Coolant capacity	
---Engine only	-
---Total system	58L
---With heat exchanger	-
Standard thermostat(modulating) range	88-98 °C
Max. coolant temperature	-
Max. allowable top tank temperature for stand by/prime power	107 °C

Electric system

Min. recommended battery capacity (12V)	
---10°C(50°F) & above- 0°F CCA	676A
--- 0°C(32°F) to 10°C(50°F)- 0°F CCA	676A
---18°C(0°F) to 0°C(32°F)- 0°F CCA	880A
Minimum cranking speed	100rpm
Starter(heave,Anode)	DC24V
Battery recharge system, negative ground	70ampere

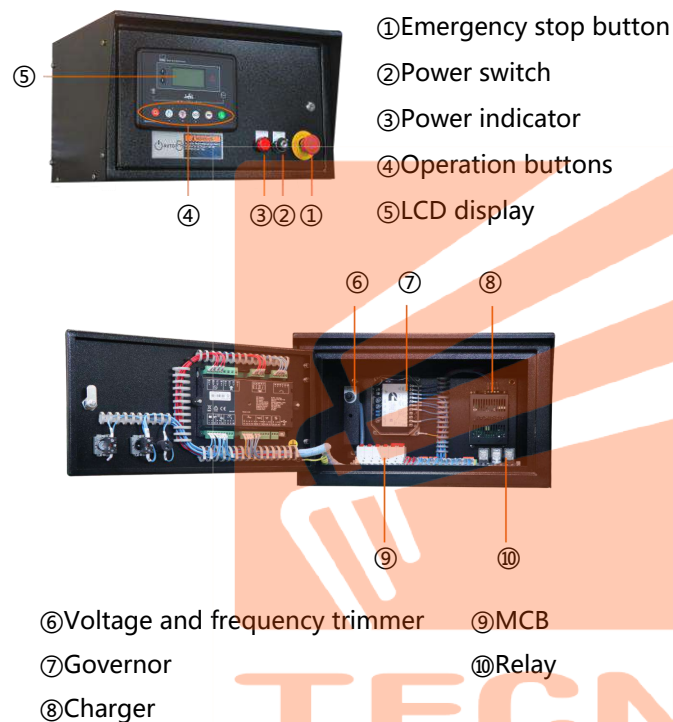
Alternator specification

Phases	3	Coating	Vacuum impregnation
Poles	4	Insulation class	H
Power factor(cosφ)	0.8	Protection	IP23
Winding connection	Star	Excitation system	Self-excited
Winding pitch	2/3	Bearing	Single Bearing
Voltage regulator type	AVR	Coupling	Flexible disc

Control system Introduction

Deepsea 6120 Auto start & auto mains failure control panel

Deepsea 6120 is an auto mains failure controller for single generator, it can monitor and protect the generator working all the time. it has a LCD display which clearly shows the status of the engine. this controller include seven inputs and six outputs. This controller can also be programmed using the front panel or by using DSE configuration Suite PC software



Key Features:

- Auto start/stop, load transfer and alarming of generator
- Remote start on or off load
- With hierarchical loading function
- Multiple start/stop cycles can be preset
- 3 phase generator and mains voltage monitoring.
- Generator/load power detection(kW, kVA, kVA_r PF)
- Overload protection (kW)
- Load current monitoring and protection
- Engine speed protection
- Engine pre-heat
- Engine start idle & stop idle
- Battery voltage monitoring
- Start under the low battery
- 4 active outputs
- 4 digital inputs and 3 analogue inputs.
- 6 Custom digital input
- 6 outputs(4 configurable on magnetic pick-up, 6 configurable on Canbus version)
- DSE2130,DSE2157,DSE2548 expansion module can be connected
- Support 0-10V or 4-20mA oil pressure sensor

Main features:

- Multi language display
- Mains failure self starting
- The running time of the engine can be recorded to facilitate the maintenance and repair of the unit
- User-friendly set-up and button layout
- LCD display can display multiple parameters at the same time
- Support EFI engine
- IP65 rating (with optional gasket)
- PC and front panel configuration
- 100 event records
- Data recording and trend analysis

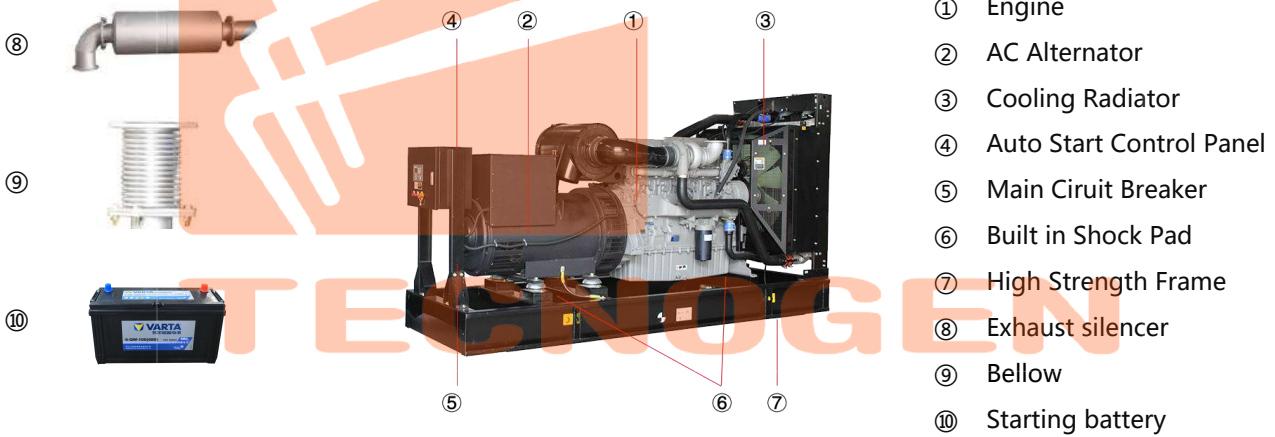
Protection:

- Two sets of protection parameters can be preset
- Normal alarm, electrical trip and shutdown alarm can be set to effectively monitor the engine speed,oil pressure, water temperature and oil level, as well as the frequency, voltage, current and power of the alternator, for complete engine/alternator protection
- Low Oil Pressure
- High water Temperature
- High voltage and low voltage
- Overspeed
- Emergency stop
- Fail to start

Decomposition diagram introduction of AOSIF Typical Canopy



Standard supply scope:



Optional supply scope:

Genset	Engine	Alternator	Control system
<ul style="list-style-type: none"> ● Tool box ● Base fuel tank ● External daily fuel tank ● Trailer 	<ul style="list-style-type: none"> ● Fuel heater ● Fuel and water separator 	<ul style="list-style-type: none"> ● Temp. detector for winding and bearing ● PMG ● Antirust, mildew and salt fog treatment ● Anti condensation heater 	<ul style="list-style-type: none"> ● ATS ● Synchronization System ● Adjustable earth relay
Breaker	Fuel system	Lub-oil system	Cooling system
<ul style="list-style-type: none"> ● ABB ● Schneider 	<ul style="list-style-type: none"> ● Low fuel level alarm ● Auto Fuel Pump ● T Valve 	<ul style="list-style-type: none"> ● Lub oil heater ● Temp.-sensor ● Oil drain Pump 	<ul style="list-style-type: none"> ● Elec.coolant Heater

Contact your local distributor for more information:



TECNOGEN



www.tecnogen.pe



comercial@tecnogen.pe



[+ 51 986 364 537](tel:+51986364537)



[Jr. Ayacucho 226, Callao, Perú](#)

Follow us on:

